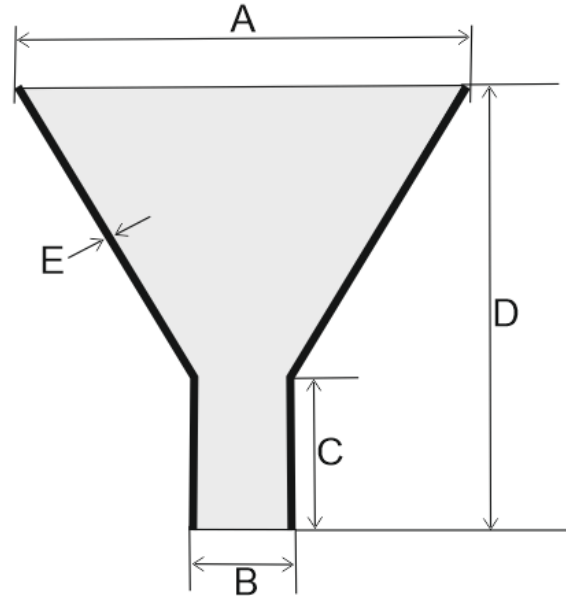


1. Part Number: 675 A45620026

2. Photo:



3. Product Information:

Description	Funnel 200mm top diameter, 26mm spout diameter										
Use	Suitable for low viscosity liquids										
Material of Construction:	316L stainless steel										
Method of Construction:	Crevice free all welds ground and polished										
Surface Finish:	Better than 0.5 microns Ra										
Dimensions	<table border="0"> <tr> <td>A - Top Diameter</td> <td>200mm</td> </tr> <tr> <td>B - Diameter of Spout</td> <td>26mm</td> </tr> <tr> <td>C - Length of Spout</td> <td>35mm</td> </tr> <tr> <td>D - Overall Height</td> <td>190mm</td> </tr> <tr> <td>E - Wall Thickness</td> <td>1.5mm to 2mm</td> </tr> </table>	A - Top Diameter	200mm	B - Diameter of Spout	26mm	C - Length of Spout	35mm	D - Overall Height	190mm	E - Wall Thickness	1.5mm to 2mm
A - Top Diameter	200mm										
B - Diameter of Spout	26mm										
C - Length of Spout	35mm										
D - Overall Height	190mm										
E - Wall Thickness	1.5mm to 2mm										
Internal Angle:	60°										
Nominal Weight:	720g										
BSE/TSE statement:	All polishing compounds used in the manufacture of this product are of vegetable origin										
Recommended Storage Conditions:	Dry and ambient temperature										
Note:	This product should be thoroughly cleaned before it is used for the first time										

4. Approval:

Signed:

Name: Kuldeep Flora

Position: Quality Manager

Date: 10-Nov-25